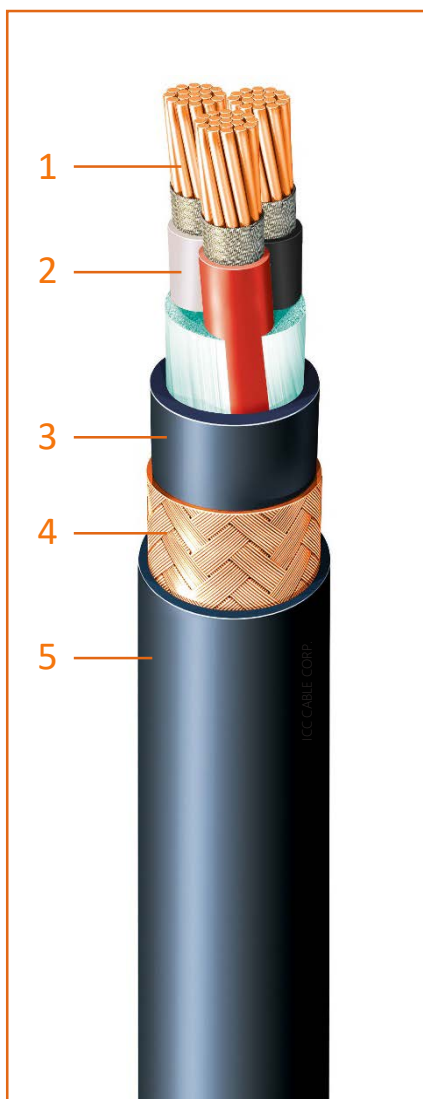


## 0.6/1KV FIRE RESISTANT ARMORED & SHEATHED CABLE



### PRODUCT DESCRIPTION

0.6/1KV ONE - FIVE CONDUCTOR, MULTI-CONDUCTOR  
COMMERCIAL MARINE POWER & CONTROL CABLE  
90°C TEMPERATURE RATING  
LOW SMOKE HALOGEN-FREE  
FIRE RESISTANT & FLAME RETARDANT  
ABS, DNV-GL, LLOYD, RINA APPROVED

### PRODUCT CONSTRUCTION

#### 1. CONDUCTOR

STRANDED BARE ANNEALED COPPER WIRE  
MICA/GLASS TAPE FOR FIRE RESISTANT LAYER  
*TINNED COPPER CONDUCTOR OPTION AVAILABLE*  
*CLASS 5 FLEXIBLE CONDUCTOR OPTION AVAILABLE*

#### 2. INSULATION

CROSS-LINKED POLYETHYLENE (XLPE)  
IEEE 1580 COLOR CODE

#### 3. INNER SHEATH

BLACK POLYOLEFIN SHF1

#### 4. ARMOR

BARE COPPER WIRE BRAID (MIN. 90%)

#### 5. SHEATH

BLACK POLYOLEFIN SHF1

LSZH CABLE



### STANDARDS

- DESIGN GUIDE: IEC 60092-350/353
- CONDUCTOR: IEC 60228 CLASS 2
- INSULATION: IEC 60092-351 (XLPE)
- SHEATH: IEC 60092-359 (SHF1)
- FLAME RETARDANT: IEC 60332-1/3 CAT.A
- FIRE RESISTANT: IEC 60331-1/2/21
- HALOGEN FREE: IEC 60754-1, ≤0.5%
- LOW SMOKE: IEC 61034, >60%
- COLD BEND/IMPACT: CSA 22.2 NO. 03 (-40°C/-35°C)

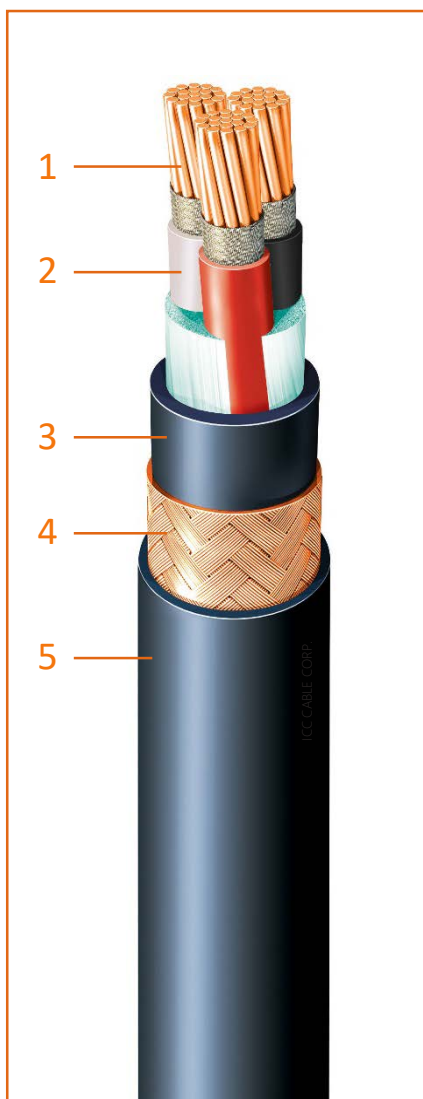
## 0.6/1KV FIRE RESISTANT ARMORED & SHEATHED CABLE

### 0.6/1KV BIOI: ONE - TWO CONDUCTOR

PART NO.	CONDUCTOR		NOMINAL OD		WEIGHT		AMPACITY
	# OF CORES	SIZE (AWG/MM2)	INCHES	MM	LBS/MFT	KG/KM	90°C
BIOI1C16AWG(1.5MM2)	1	16	0.35	9.00	87	130	23
BIOI1C14AWG(2.5MM2)	1	14	0.38	9.70	108	160	30
BIOI1C12AWG(4MM2)	1	12	0.40	10.20	121	180	40
BIOI1C10AWG(6MM2)	1	10	0.43	10.80	141	210	52
BIOI1C8AWG(10MM2)	1	8	0.47	11.80	181	270	72
BIOI1C6AWG(16MM2)	1	6	0.51	13.00	235	350	96
BIOI1C4AWG(25MM2)	1	4	0.59	14.90	329	490	127
BIOI1C2AWG(35MM2)	1	2	0.63	16.00	403	600	157
BIOI1C1AWG(50MM2)	1	1	0.70	17.80	511	760	196
BIOI1C70MM2	1	70mm2	0.78	19.80	679	1010	242
BIOI1C3/0AWG(95MM2)	1	3/0	0.87	22.10	887	1320	293
BIOI1C4/0AWG(120MM2)	1	4/0	0.95	24.10	1082	1610	339
BIOI1C150MM2	1	150mm2	1.04	26.50	1304	1940	389
BIOI1C185MM2	1	185mm2	1.15	29.10	1599	2380	444
BIOI1C240MM2	1	240mm2	1.27	32.20	2029	3020	522
BIOI1C300MM2	1	300mm2	1.40	35.50	2527	3760	601
BIOI2C16AWG(1.5MM2)	2	16	0.51	12.90	161	240	20
BIOI2C14AWG(2.5MM2)	2	14	0.55	13.90	188	280	26
BIOI2C12AWG(4.0MM2)	2	12	0.59	15.10	228	340	34
BIOI2C10AWG(6MM2)	2	10	0.64	16.30	276	410	44
BIOI2C8AWG(10MM2)	2	8	0.73	18.50	370	550	61
BIOI2C6AWG(16MM2)	2	6	0.82	20.90	491	730	82
BIOI2C4AWG(25MM2)	2	4	0.97	24.70	699	1040	108
BIOI2C2AWG(35MM2)	2	2	1.07	27.10	874	1300	133
BIOI2C1AWG(50MM2)	2	1	1.21	30.70	1122	1670	167
BIOI2C70MM2	2	70mm2	1.41	35.70	1572	2340	206
BIOI2C3/0AWG(95MM2)	2	3/0	1.57	39.90	2036	3030	249
BIOI2C4/0AWG(120MM2)	2	4/0	1.74	44.10	2493	3710	288
BIOI2C150MM2	2	150mm2	1.91	48.50	3004	4470	331
BIOI2C185MM2	2	185mm2	2.11	53.50	3676	5470	377

DATA SUBJECT TO NORMAL MANUFACTURING TOLERANCES  
AMPACITY BASED ON 45°C AMBIENT TEMPERATURE; 90°C BASED ON IEC 60092-352 TABLE B.4

## 0.6/1KV FIRE RESISTANT ARMORED & SHEATHED CABLE



### PRODUCT DESCRIPTION

0.6/1KV ONE - FIVE CONDUCTOR, MULTI-CONDUCTOR  
COMMERCIAL MARINE POWER & CONTROL CABLE  
90°C TEMPERATURE RATING  
LOW SMOKE HALOGEN-FREE  
FIRE RESISTANT & FLAME RETARDANT  
ABS, DNV-GL, LLOYD, RINA APPROVED

### PRODUCT CONSTRUCTION

#### 1. CONDUCTOR

STRANDED BARE ANNEALED COPPER WIRE  
MICA/GLASS TAPE FOR FIRE RESISTANT LAYER  
*TINNED COPPER CONDUCTOR OPTION AVAILABLE*  
*CLASS 5 FLEXIBLE CONDUCTOR OPTION AVAILABLE*

#### 2. INSULATION

CROSS-LINKED POLYETHYLENE (XLPE)  
IEEE 1580 COLOR CODE

#### 3. INNER SHEATH

BLACK POLYOLEFIN SHF1

#### 4. ARMOR

BARE COPPER WIRE BRAID (MIN. 90%)

#### 5. SHEATH

BLACK POLYOLEFIN SHF1

LSZH CABLE



### STANDARDS

- DESIGN GUIDE: IEC 60092-350/353
- CONDUCTOR: IEC 60228 CLASS 2
- INSULATION: IEC 60092-351 (XLPE)
- SHEATH: IEC 60092-359 (SHF1)
- FLAME RETARDANT: IEC 60332-1/3 CAT.A
- FIRE RESISTANT: IEC 60331-1/2/21
- HALOGEN FREE: IEC 60754-1, ≤0.5%
- LOW SMOKE: IEC 61034, >60%
- COLD BEND/IMPACT: CSA 22.2 NO. 03 (-40°C/-35°C)

## 0.6/1KV FIRE RESISTANT ARMORED & SHEATHED CABLE

### 0.6/1KV BIOI: ONE - TWO CONDUCTOR

PART NO.	CONDUCTOR		NOMINAL OD		WEIGHT		AMPACITY
	# OF CORES	SIZE (AWG/MM2)	INCHES	MM	LBS/MFT	KG/KM	90°C
BIOI1C16AWG(1.5MM2)	1	16	0.35	9.00	87	130	23
BIOI1C14AWG(2.5MM2)	1	14	0.38	9.70	108	160	30
BIOI1C12AWG(4MM2)	1	12	0.40	10.20	121	180	40
BIOI1C10AWG(6MM2)	1	10	0.43	10.80	141	210	52
BIOI1C8AWG(10MM2)	1	8	0.47	11.80	181	270	72
BIOI1C6AWG(16MM2)	1	6	0.51	13.00	235	350	96
BIOI1C4AWG(25MM2)	1	4	0.59	14.90	329	490	127
BIOI1C2AWG(35MM2)	1	2	0.63	16.00	403	600	157
BIOI1C1AWG(50MM2)	1	1	0.70	17.80	511	760	196
BIOI1C70MM2	1	70mm2	0.78	19.80	679	1010	242
BIOI1C3/0AWG(95MM2)	1	3/0	0.87	22.10	887	1320	293
BIOI1C4/0AWG(120MM2)	1	4/0	0.95	24.10	1082	1610	339
BIOI1C150MM2	1	150mm2	1.04	26.50	1304	1940	389
BIOI1C185MM2	1	185mm2	1.15	29.10	1599	2380	444
BIOI1C240MM2	1	240mm2	1.27	32.20	2029	3020	522
BIOI1C300MM2	1	300mm2	1.40	35.50	2527	3760	601
BIOI2C16AWG(1.5MM2)	2	16	0.51	12.90	161	240	20
BIOI2C14AWG(2.5MM2)	2	14	0.55	13.90	188	280	26
BIOI2C12AWG(4.0MM2)	2	12	0.59	15.10	228	340	34
BIOI2C10AWG(6MM2)	2	10	0.64	16.30	276	410	44
BIOI2C8AWG(10MM2)	2	8	0.73	18.50	370	550	61
BIOI2C6AWG(16MM2)	2	6	0.82	20.90	491	730	82
BIOI2C4AWG(25MM2)	2	4	0.97	24.70	699	1040	108
BIOI2C2AWG(35MM2)	2	2	1.07	27.10	874	1300	133
BIOI2C1AWG(50MM2)	2	1	1.21	30.70	1122	1670	167
BIOI2C70MM2	2	70mm2	1.41	35.70	1572	2340	206
BIOI2C3/0AWG(95MM2)	2	3/0	1.57	39.90	2036	3030	249
BIOI2C4/0AWG(120MM2)	2	4/0	1.74	44.10	2493	3710	288
BIOI2C150MM2	2	150mm2	1.91	48.50	3004	4470	331
BIOI2C185MM2	2	185mm2	2.11	53.50	3676	5470	377

DATA SUBJECT TO NORMAL MANUFACTURING TOLERANCES  
AMPACITY BASED ON 45°C AMBIENT TEMPERATURE; 90°C BASED ON IEC 60092-352 TABLE B.4

## 0.6/1KV FIRE RESISTANT ARMORED & SHEATHED CABLE

### 0.6/1KV BIOI: THREE - FOUR CONDUCTOR

PART NO.	CONDUCTOR		NOMINAL OD		WEIGHT		AMPACITY
	# OF CORES	SIZE (AWG/MM2)	INCHES	MM	LBS/MFT	KG/KM	90°C
BIOI3C16AWG(1.5MM2)	3	16	0.53	13.40	181	270	16
BIOI3C14AWG(2.5MM2)	3	14	0.57	14.50	215	320	21
BIOI3C12AWG(4.0MM2)	3	12	0.62	15.80	269	400	28
BIOI3C10AWG(6MM2)	3	10	0.67	17.10	329	490	36
BIOI3C8AWG(10MM2)	3	8	0.76	19.40	457	680	50
BIOI3C6AWG(16MM2)	3	6	0.87	22.00	618	920	67
BIOI3C4AWG(25MM2)	3	4	1.04	26.30	900	1340	89
BIOI3C2AWG(35MM2)	3	2	1.14	29.00	1156	1720	110
BIOI3C1AWG(50MM2)	3	1	1.29	32.70	1478	2200	137
BIOI3C70MM2	3	70mm2	1.50	38.20	2083	3100	169
BIOI3C3/0AWG(95MM2)	3	3/0	1.68	42.70	2721	4050	205
BIOI3C4/0AWG(120MM2)	3	4/0	1.86	47.20	3346	4980	237
BIOI3C150MM2	3	150mm2	2.05	52.10	4065	6050	273
BIOI3C185MM2	3	185mm2	2.25	57.20	4966	7390	311
BIOI3C240MM2	3	240mm2	2.54	64.50	6384	9500	366
BIOI4C16AWG(1.5MM2)	4	16	0.56	14.30	208	310	16
BIOI4C14AWG(2.5MM2)	4	14	0.62	15.80	262	390	21
BIOI4C12AWG(4.0MM2)	4	12	0.67	17.00	323	480	28
BIOI4C10AWG(6MM2)	4	10	0.73	18.60	403	600	36
BIOI4C8AWG(10MM2)	4	8	0.84	21.40	571	850	50
BIOI4C6AWG(16MM2)	4	6	0.95	24.00	773	1150	67
BIOI4C4AWG(25MM2)	4	4	1.12	28.50	1122	1670	89
BIOI4C2AWG(35MM2)	4	2	1.25	31.80	1458	2170	110
BIOI4C1AWG(50MM2)	4	1	1.44	36.50	1935	2880	137
BIOI4C70MM2	4	70mm2	1.66	42.10	2654	3950	169
BIOI4C3/0AWG(95MM2)	4	3/0	1.86	47.30	3494	5200	205
BIOI4C4/0AWG(120MM2)	4	4/0	2.06	52.20	4301	6400	237
BIOI4C150MM2	4	150mm2	2.27	57.60	5221	7770	273
BIOI4C185MM2	4	185mm2	2.51	63.80	6437	9580	311

DATA SUBJECT TO NORMAL MANUFACTURING TOLERANCES  
AMPACITY BASED ON 45°C AMBIENT TEMPERATURE: 90°C BASED ON IEC 60092-352 TABLE B.4

## 0.6/1KV FIRE RESISTANT ARMORED & SHEATHED CABLE

### 0.6/1KV BIOI: THREE - FOUR CONDUCTOR

PART NO.	CONDUCTOR		NOMINAL OD		WEIGHT		AMPACITY
	# OF CORES	SIZE (AWG/MM2)	INCHES	MM	LBS/MFT	KG/KM	90°C
BIOI3C16AWG(1.5MM2)	3	16	0.53	13.40	181	270	16
BIOI3C14AWG(2.5MM2)	3	14	0.57	14.50	215	320	21
BIOI3C12AWG(4.0MM2)	3	12	0.62	15.80	269	400	28
BIOI3C10AWG(6MM2)	3	10	0.67	17.10	329	490	36
BIOI3C8AWG(10MM2)	3	8	0.76	19.40	457	680	50
BIOI3C6AWG(16MM2)	3	6	0.87	22.00	618	920	67
BIOI3C4AWG(25MM2)	3	4	1.04	26.30	900	1340	89
BIOI3C2AWG(35MM2)	3	2	1.14	29.00	1156	1720	110
BIOI3C1AWG(50MM2)	3	1	1.29	32.70	1478	2200	137
BIOI3C70MM2	3	70mm2	1.50	38.20	2083	3100	169
BIOI3C3/0AWG(95MM2)	3	3/0	1.68	42.70	2721	4050	205
BIOI3C4/0AWG(120MM2)	3	4/0	1.86	47.20	3346	4980	237
BIOI3C150MM2	3	150mm2	2.05	52.10	4065	6050	273
BIOI3C185MM2	3	185mm2	2.25	57.20	4966	7390	311
BIOI3C240MM2	3	240mm2	2.54	64.50	6384	9500	366
BIOI4C16AWG(1.5MM2)	4	16	0.56	14.30	208	310	16
BIOI4C14AWG(2.5MM2)	4	14	0.62	15.80	262	390	21
BIOI4C12AWG(4.0MM2)	4	12	0.67	17.00	323	480	28
BIOI4C10AWG(6MM2)	4	10	0.73	18.60	403	600	36
BIOI4C8AWG(10MM2)	4	8	0.84	21.40	571	850	50
BIOI4C6AWG(16MM2)	4	6	0.95	24.00	773	1150	67
BIOI4C4AWG(25MM2)	4	4	1.12	28.50	1122	1670	89
BIOI4C2AWG(35MM2)	4	2	1.25	31.80	1458	2170	110
BIOI4C1AWG(50MM2)	4	1	1.44	36.50	1935	2880	137
BIOI4C70MM2	4	70mm2	1.66	42.10	2654	3950	169
BIOI4C3/0AWG(95MM2)	4	3/0	1.86	47.30	3494	5200	205
BIOI4C4/0AWG(120MM2)	4	4/0	2.06	52.20	4301	6400	237
BIOI4C150MM2	4	150mm2	2.27	57.60	5221	7770	273
BIOI4C185MM2	4	185mm2	2.51	63.80	6437	9580	311

DATA SUBJECT TO NORMAL MANUFACTURING TOLERANCES  
AMPACITY BASED ON 45°C AMBIENT TEMPERATURE: 90°C BASED ON IEC 60092-352 TABLE B.4

## 0.6/1KV FIRE RESISTANT ARMORED & SHEATHED CABLE

### 0.6/1KV BIOI: MULTI CONDUCTOR

PART NO.	CONDUCTOR		NOMINAL OD		WEIGHT	
	# OF CORES	SIZE (AWG)	INCHES	MM	LBS/MFT	KG/KM
BIOI2C18AWG(1.0MM2)	2	18	0.49	12.50	148	220
BIOI3C18AWG(1.0MM2)	3	18	0.51	13.00	161	240
BIOI4C18AWG(1.0MM2)	4	18	0.55	13.90	188	280
BIOI5C18AWG(1.0MM2)	5	18	0.59	15.00	222	330
BIOI7C18AWG(1.0MM2)	7	18	0.63	16.00	255	380
BIOI9C18AWG(1.0MM2)	9	18	0.72	18.20	316	470
BIOI12C18AWG(1.0MM2)	12	18	0.79	20.00	383	570
BIOI14C18AWG(1.0MM2)	14	18	0.84	21.30	437	650
BIOI16C18AWG(1.0MM2)	16	18	0.87	22.20	470	700
BIOI19C18AWG(1.0MM2)	19	18	0.92	23.40	531	790
BIOI24C18AWG(1.0MM2)	24	18	1.07	27.10	679	1010
BIOI27C18AWG(1.0MM2)	27	18	1.09	27.60	719	1070
BIOI33C18AWG(1.0MM2)	33	18	1.17	29.80	840	1250
BIOI37C18AWG(1.0MM2)	37	18	1.21	30.80	907	1350
BIOI44C18AWG(1.0MM2)	44	18	1.38	35.10	1156	1720
BIOI2C16AWG(1.5MM2)	2	16	0.52	13.10	161	240
BIOI3C16AWG(1.5MM2)	3	16	0.54	13.70	188	280
BIOI4C16AWG(1.5MM2)	4	16	0.58	14.60	215	320
BIOI5C16AWG(1.5MM2)	5	16	0.62	15.80	249	370
BIOI7C16AWG(1.5MM2)	7	16	0.67	16.90	296	440
BIOI9C16AWG(1.5MM2)	9	16	0.76	19.30	370	550
BIOI10C16AWG(1.5MM2)	10	16	0.83	21.10	423	630
BIOI12C16AWG(1.5MM2)	12	16	0.85	21.70	464	690
BIOI14C16AWG(1.5MM2)	14	16	0.89	22.60	511	760
BIOI16C16AWG(1.5MM2)	16	16	0.94	23.80	564	840
BIOI19C16AWG(1.5MM2)	19	16	0.99	25.10	638	950
BIOI24C16AWG(1.5MM2)	24	16	1.15	29.30	820	1220
BIOI27C16AWG(1.5MM2)	27	16	1.18	29.90	874	1300
BIOI33C16AWG(1.5MM2)	33	16	1.26	32.00	1015	1510
BIOI37C16AWG(1.5MM2)	37	16	1.31	33.30	1109	1650
BIOI44C16AWG(1.5MM2)	44	16	1.49	37.90	1398	2080

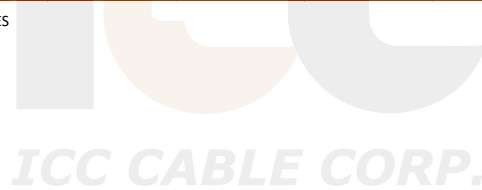
DATA SUBJECT TO NORMAL MANUFACTURING TOLERANCES

## 0.6/1KV FIRE RESISTANT ARMORED & SHEATHED CABLE

### 0.6/1KV BIOI: MULTI CONDUCTOR

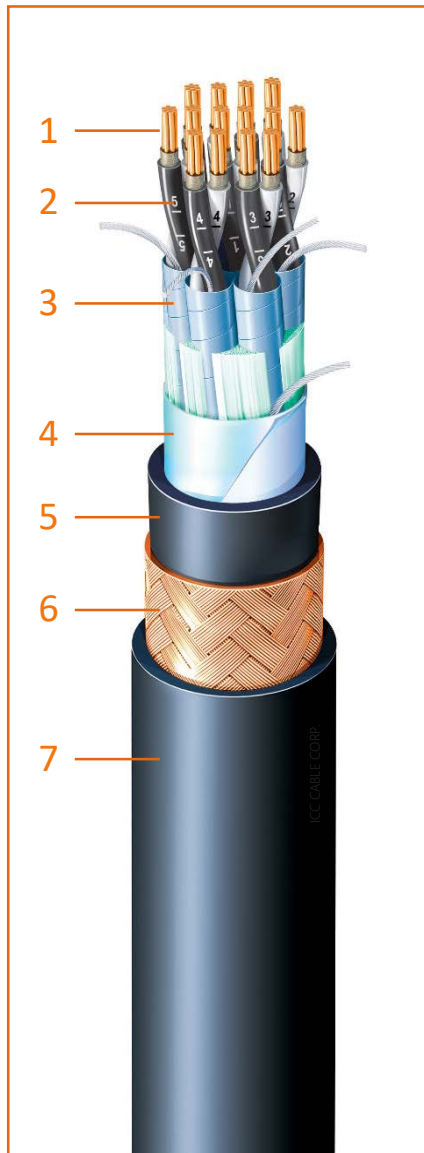
PART NO.	CONDUCTOR		NOMINAL OD		WEIGHT	
	# OF CORES	SIZE (AWG)	INCHES	MM	LBS/MFT	KG/KM
BIOI2C14AWG(2.5MM2)	2	14	0.55	13.90	188	280
BIOI3C14AWG(2.5MM2)	3	14	0.57	14.50	215	320
BIOI4C14AWG(2.5MM2)	4	14	0.62	15.80	262	390
BIOI5C14AWG(2.5MM2)	5	14	0.67	16.90	302	450
BIOI7C14AWG(2.5MM2)	7	14	0.72	18.30	370	550
BIOI9C14AWG(2.5MM2)	9	14	0.84	21.20	470	700
BIOI12C14AWG(2.5MM2)	12	14	0.93	23.50	585	870
BIOI14C14AWG(2.5MM2)	14	14	0.98	24.80	659	980
BIOI16C14AWG(2.5MM2)	16	14	1.03	26.10	732	1090
BIOI19C14AWG(2.5MM2)	19	14	1.08	27.30	820	1220
BIOI24C14AWG(2.5MM2)	24	14	1.26	31.90	1048	1560
BIOI27C14AWG(2.5MM2)	27	14	1.28	32.50	1129	1680
BIOI33C14AWG(2.5MM2)	33	14	1.40	35.50	1384	2060
BIOI37C14AWG(2.5MM2)	37	14	1.45	36.70	1498	2230
BIOI44C14AWG(2.5MM2)	44	14	1.63	41.50	1821	2710

DATA SUBJECT TO NORMAL MANUFACTURING TOLERANCES





## 250V FIRE RESISTANT ARMORED & SHEATHED AL/PS TAPE SCREENED CABLE



### PRODUCT DESCRIPTION

250V SHIELDED PAIRS/TRIADS INSTRUMENTATION  
90°C TEMP. RATING, LOW SMOKE HALOGEN-FREE  
FIRE RESISTANT & FLAME RETARDANT  
ABS, DNV-GL, LLOYD, RINA APPROVED

### PRODUCT CONSTRUCTION

#### 1. CONDUCTOR

STRANDED BARE ANNEALED COPPER WIRE  
MICA/GLASS TAPE FOR FIRE RESISTANT LAYER  
*TINNED COPPER CONDUCTOR OPTION AVAILABLE*  
*CLASS 5 FLEXIBLE CONDUCTOR OPTION AVAILABLE*

#### 2. INSULATION

CROSS-LINKED POLYETHYLENE (XLPE)  
BLACK, WHITE W/NUMBER COLOR CODE (PAIRS)  
BLACK, WHITE, RED W/NUMBER COLOR CODE (TRIADS)

#### 3. INDIVIDUAL SCREEN

AL/PS TAPE W/TINNED COPPER DRAIN WIRE

#### 4. OVERALL SCREEN

AL/PS TAPE W/TINNED COPPER DRAIN WIRE

#### 5. INNER SHEATH

BLACK POLYOLEFIN SHF1

#### 6. ARMOR

BARE COPPER WIRE BRAID (MIN. 90%)

#### 7. SHEATH

BLACK POLYOLEFIN SHF1



LSZH CABLE

### STANDARDS

- DESIGN GUIDE: IEC 60092-350/353
- CONDUCTOR: IEC 60228 CLASS 2
- INSULATION: IEC 60092-351 (XLPE)
- SHEATH: IEC 60092-359 (SHF1)
- FLAME RETARDANT: IEC 60332-1/3 CAT.A
- FIRE RESISTANT: IEC 60331-1/2/21
- HALOGEN FREE: IEC 60754-1, ≤0.5%
- LOW SMOKE: IEC 61034, >60%
- COLD BEND/IMPACT: CSA 22.2 NO. 03 (-40°C/-35°C)

## 250V FIRE RESISTANT ARMORED & SHEATHED AL/PS TAPE SCREENED CABLE

### 250V BIOI(IC): INDIVIDUAL & COMMON SCREENED PAIRS

PART NO.	CONDUCTOR		NOMINAL OD		WEIGHT	
	# OF PAIRS	SIZE (AWG)	INCHES	MM	LBS/MFT	KG/KM
BIOI(C)1P20AWG(0.75MM2)	1	20	0.47	11.80	134	200
BIOI(IC)2P20AWG(0.75MM2)	2	20	0.67	17.00	242	360
BIOI(IC)3P20AWG(0.75MM2)	3	20	0.71	18.00	282	420
BIOI(IC)4P20AWG(0.75MM2)	4	20	0.76	19.30	323	480
BIOI(IC)7P20AWG(0.75MM2)	7	20	0.90	22.80	457	680
BIOI(IC)8P20AWG(0.75MM2)	8	20	0.98	25.00	524	780
BIOI(IC)10P20AWG(0.75MM2)	10	20	1.10	27.90	618	920
BIOI(IC)12P20AWG(0.75MM2)	12	20	1.15	29.30	699	1040
BIOI(IC)14P20AWG(0.75MM2)	14	20	1.20	30.50	766	1140
BIOI(IC)16P20AWG(0.75MM2)	16	20	1.28	32.50	853	1270
BIOI(IC)19P20AWG(0.75MM2)	19	20	1.32	33.60	954	1420
BIOI(IC)24P20AWG(0.75MM2)	24	20	1.54	39.20	1257	1870
BIOI(IC)30P20AWG(0.75MM2)	30	20	1.64	41.70	1465	2180
BIOI(IC)32P20AWG(0.75MM2)	32	20	1.67	42.30	1525	2270
BIOI(IC)37P20AWG(0.75MM2)	37	20	1.75	44.40	1700	2530
BIOI(C)1P18AWG(1.0MM2)	1	18	0.49	12.40	148	220
BIOI(IC)2P18AWG(1.0MM2)	2	18	0.71	17.90	269	400
BIOI(IC)3P18AWG(1.0MM2)	3	18	0.74	18.70	309	460
BIOI(IC)4P18AWG(1.0MM2)	4	18	0.81	20.60	370	550
BIOI(IC)7P18AWG(1.0MM2)	7	18	0.95	24.00	517	770
BIOI(IC)8P18AWG(1.0MM2)	8	18	1.04	26.40	598	890
BIOI(IC)10P18AWG(1.0MM2)	10	18	1.17	29.70	712	1060
BIOI(IC)12P18AWG(1.0MM2)	12	18	1.21	30.70	793	1180
BIOI(IC)14P18AWG(1.0MM2)	14	18	1.27	32.20	880	1310
BIOI(IC)16P18AWG(1.0MM2)	16	18	1.35	34.30	988	1470
BIOI(IC)19P18AWG(1.0MM2)	19	18	1.41	35.90	1156	1720
BIOI(IC)24P18AWG(1.0MM2)	24	18	1.64	41.60	1458	2170
BIOI(IC)30P18AWG(1.0MM2)	30	18	1.73	44.00	1693	2520
BIOI(IC)32P18AWG(1.0MM2)	32	18	1.76	44.70	1767	2630
BIOI(IC)37P18AWG(1.0MM2)	37	18	1.85	47.00	1989	2960

DATA SUBJECT TO NORMAL MANUFACTURING TOLERANCES

## 250V FIRE RESISTANT ARMORED & SHEATHED AL/PS TAPE SCREENED CABLE

### 250V BIOI(IC): INDIVIDUAL & COMMON SCREENED PAIRS

PART NO.	CONDUCTOR		NOMINAL OD		WEIGHT	
	# OF PAIRS	SIZE (AWG)	INCHES	MM	LBS/MFT	KG/KM
BIOI(C)1P16AWG(1.5MM2)	1	16	0.53	13.40	168	250
BIOI(IC)2P16AWG(1.5MM2)	2	16	0.77	19.60	309	460
BIOI(IC)3P16AWG(1.5MM2)	3	16	0.83	21.00	376	560
BIOI(IC)4P16AWG(1.5MM2)	4	16	0.89	22.70	443	660
BIOI(IC)7P16AWG(1.5MM2)	7	16	1.06	27.00	645	960
BIOI(IC)8P16AWG(1.5MM2)	8	16	1.17	29.70	746	1110
BIOI(IC)10P16AWG(1.5MM2)	10	16	1.32	33.40	887	1320
BIOI(IC)12P16AWG(1.5MM2)	12	16	1.39	35.20	1048	1560
BIOI(IC)14P16AWG(1.5MM2)	14	16	1.45	36.70	1156	1720
BIOI(IC)16P16AWG(1.5MM2)	16	16	1.55	39.30	1304	1940
BIOI(IC)19P16AWG(1.5MM2)	19	16	1.60	40.60	1451	2160
BIOI(IC)24P16AWG(1.5MM2)	24	16	1.85	47.10	1834	2730
BIOI(IC)30P16AWG(1.5MM2)	30	16	1.97	50.10	2157	3210
BIOI(IC)32P16AWG(1.5MM2)	32	16	2.00	50.80	2244	3340
BIOI(IC)37P16AWG(1.5MM2)	37	16	2.10	53.30	2513	3740
BIOI(C)1P14AWG(2.5MM2)	1	14	0.56	14.20	195	290
BIOI(IC)2P14AWG(2.5MM2)	2	14	0.84	21.40	383	570
BIOI(IC)3P14AWG(2.5MM2)	3	14	0.89	22.50	457	680
BIOI(IC)4P14AWG(2.5MM2)	4	14	0.97	24.70	558	830
BIOI(IC)7P14AWG(2.5MM2)	7	14	1.16	29.50	820	1220
BIOI(IC)8P14AWG(2.5MM2)	8	14	1.27	32.20	934	1390
BIOI(IC)10P14AWG(2.5MM2)	10	14	1.45	36.70	1176	1750
BIOI(IC)12P14AWG(2.5MM2)	12	14	1.51	38.40	1337	1990
BIOI(IC)14P14AWG(2.5MM2)	14	14	1.58	40.00	1478	2200
BIOI(IC)16P14AWG(2.5MM2)	16	14	1.69	42.90	1673	2490
BIOI(IC)19P14AWG(2.5MM2)	19	14	1.74	44.30	1875	2790
BIOI(IC)24P14AWG(2.5MM2)	24	14	2.02	51.40	2365	3520
BIOI(IC)30P14AWG(2.5MM2)	30	14	2.16	54.90	2816	4190
BIOI(IC)32P14AWG(2.5MM2)	32	14	2.19	55.70	2950	4390
BIOI(IC)37P14AWG(2.5MM2)	37	14	2.31	58.60	3320	4940

DATA SUBJECT TO NORMAL MANUFACTURING TOLERANCES

## 250V FIRE RESISTANT ARMORED & SHEATHED AL/PS TAPE SCREENED CABLE

### 250V BIOI(IC): INDIVIDUAL & COMMON SCREENED TRIADS

PART NO.	CONDUCTOR		NOMINAL OD		WEIGHT	
	# OF TRIADS	SIZE (AWG)	INCHES	MM	LBS/MFT	KG/KM
BIOI(C)1T20AWG(0.75MM2)	1	20	0.49	12.40	155	230
BIOI(IC)2T20AWG(0.75MM2)	2	20	0.71	18.00	276	410
BIOI(IC)3T20AWG(0.75MM2)	3	20	0.74	18.90	323	480
BIOI(IC)4T20AWG(0.75MM2)	4	20	0.82	20.80	390	580
BIOI(IC)7T20AWG(0.75MM2)	7	20	1.03	26.20	598	890
BIOI(IC)8T20AWG(0.75MM2)	8	20	1.10	28.00	665	990
BIOI(IC)10T20AWG(0.75MM2)	10	20	1.24	31.40	786	1170
BIOI(IC)12T20AWG(0.75MM2)	12	20	1.31	33.30	900	1340
BIOI(IC)14T20AWG(0.75MM2)	14	20	1.38	35.10	1055	1570
BIOI(IC)16T20AWG(0.75MM2)	16	20	1.47	37.20	1176	1750
BIOI(IC)19T20AWG(0.75MM2)	19	20	1.57	39.80	1337	1990
BIOI(IC)24T20AWG(0.75MM2)	24	20	1.73	44.00	1626	2420
BIOI(IC)30T20AWG(0.75MM2)	30	20	1.90	48.30	1949	2900
BIOI(IC)32T20AWG(0.75MM2)	32	20	1.98	50.20	2083	3100
BIOI(IC)37T20AWG(0.75MM2)	37	20	2.07	52.50	2318	3450
BIOI(C)1T18AWG(1.0MM2)	1	18	0.51	12.90	175	260
BIOI(IC)2T18AWG(1.0MM2)	2	18	0.74	18.80	302	450
BIOI(IC)3T18AWG(1.0MM2)	3	18	0.78	19.80	363	540
BIOI(IC)4T18AWG(1.0MM2)	4	18	0.86	21.80	443	660
BIOI(IC)7T18AWG(1.0MM2)	7	18	1.09	27.60	679	1010
BIOI(IC)8T18AWG(1.0MM2)	8	18	1.18	30.00	779	1160
BIOI(IC)10T18AWG(1.0MM2)	10	18	1.32	33.60	921	1370
BIOI(IC)12T18AWG(1.0MM2)	12	18	1.41	35.90	1102	1640
BIOI(IC)14T18AWG(1.0MM2)	14	18	1.47	37.40	1223	1820
BIOI(IC)16T18AWG(1.0MM2)	16	18	1.56	39.50	1357	2020
BIOI(IC)19T18AWG(1.0MM2)	19	18	1.67	42.50	1566	2330
BIOI(IC)24T18AWG(1.0MM2)	24	18	1.85	47.00	1902	2830
BIOI(IC)30T18AWG(1.0MM2)	30	18	2.03	51.60	2285	3400
BIOI(IC)32T18AWG(1.0MM2)	32	18	2.11	53.50	2426	3610
BIOI(IC)37T18AWG(1.0MM2)	37	18	2.21	56.10	2721	4050

DATA SUBJECT TO NORMAL MANUFACTURING TOLERANCES

## 250V FIRE RESISTANT ARMORED & SHEATHED AL/PS TAPE SCREENED CABLE

### 250V BIOI(IC): INDIVIDUAL & COMMON SCREENED TRIADS

PART NO.	CONDUCTOR		NOMINAL OD		WEIGHT	
	# OF TRIADS	SIZE (AWG)	INCHES	MM	LBS/MFT	KG/KM
BIOI(C)1T16AWG(1.5MM2)	1	16	0.55	14.00	202	300
BIOI(IC)2T16AWG(1.5MM2)	2	16	0.84	21.20	376	560
BIOI(IC)3T16AWG(1.5MM2)	3	16	0.88	22.30	450	670
BIOI(IC)4T16AWG(1.5MM2)	4	16	0.97	24.60	551	820
BIOI(IC)7T16AWG(1.5MM2)	7	16	1.23	31.20	853	1270
BIOI(IC)8T16AWG(1.5MM2)	8	16	1.34	33.90	974	1450
BIOI(IC)10T16AWG(1.5MM2)	10	16	1.52	38.60	1230	1830
BIOI(IC)12T16AWG(1.5MM2)	12	16	1.60	40.70	1391	2070
BIOI(IC)14T16AWG(1.5MM2)	14	16	1.67	42.40	1546	2300
BIOI(IC)16T16AWG(1.5MM2)	16	16	1.77	44.90	1727	2570
BIOI(IC)19T16AWG(1.5MM2)	19	16	1.90	48.30	1989	2960
BIOI(IC)24T16AWG(1.5MM2)	24	16	2.10	53.40	2426	3610
BIOI(IC)30T16AWG(1.5MM2)	30	16	2.33	59.10	2950	4390
BIOI(IC)32T16AWG(1.5MM2)	32	16	2.41	61.10	3131	4660
BIOI(IC)37T16AWG(1.5MM2)	37	16	2.53	64.20	3514	5230
BIOI(C)1T14AWG(2.5MM2)	1	14	0.59	15.00	242	360
BIOI(IC)2T14AWG(2.5MM2)	2	14	0.89	22.60	450	670
BIOI(IC)3T14AWG(2.5MM2)	3	14	0.95	24.00	558	830
BIOI(IC)4T14AWG(2.5MM2)	4	14	1.04	26.50	685	1020
BIOI(IC)7T14AWG(2.5MM2)	7	14	1.34	33.90	1089	1620
BIOI(IC)8T14AWG(2.5MM2)	8	14	1.47	37.20	1304	1940
BIOI(IC)10T14AWG(2.5MM2)	10	14	1.65	41.90	1566	2330
BIOI(IC)12T14AWG(2.5MM2)	12	14	1.74	44.20	1781	2650
BIOI(IC)14T14AWG(2.5MM2)	14	14	1.81	46.00	1989	2960
BIOI(IC)16T14AWG(2.5MM2)	16	14	1.92	48.70	2224	3310
BIOI(IC)19T14AWG(2.5MM2)	19	14	2.07	52.60	2587	3850
BIOI(IC)24T14AWG(2.5MM2)	24	14	2.30	58.40	3185	4740
BIOI(IC)30T14AWG(2.5MM2)	30	14	2.53	64.30	3864	5750
BIOI(IC)32T14AWG(2.5MM2)	32	14	2.63	66.80	4126	6140
BIOI(IC)37T14AWG(2.5MM2)	37	14	2.75	69.90	4623	6880

DATA SUBJECT TO NORMAL MANUFACTURING TOLERANCES