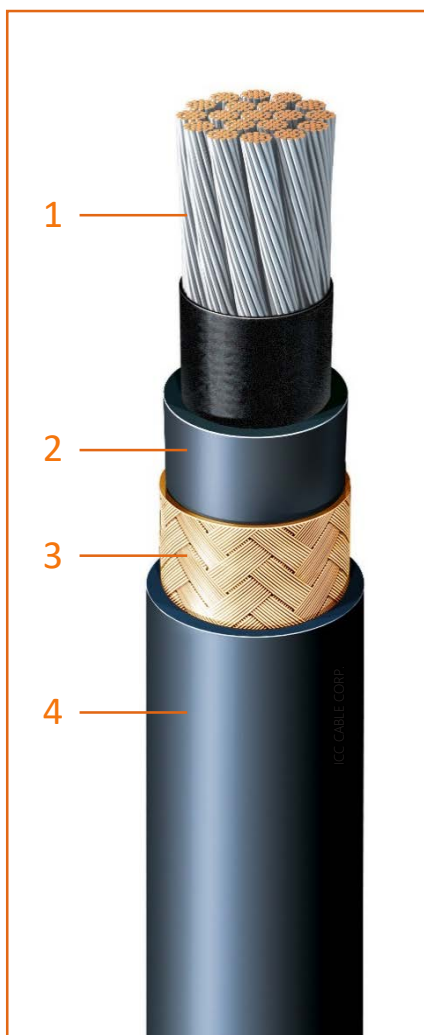


## TYPE LSXTPO LOW SMOKE HALOGEN-FREE POWER CABLE



### PRODUCT DESCRIPTION

0.6/1KV OR 2KV FLEXIBLE SINGLE CONDUCTOR  
MARINE/OFFSHORE POWER CABLE  
90°C TEMPERATURE RATING  
HALOGEN FREE & FLAME RETARDANT  
ETL LISTED. ABS APPROVED

### PRODUCT CONSTRUCTION

#### 1. CONDUCTOR

FLEXIBLE STRANDED TINNED ANNEALED COPPER WIRE

#### 2. INSULATION

LOW SMOKE, HALOGEN-FREE XLPO (TYPE LSX)  
COLOR CODE: IEEE 1580 TABLE 22

#### 3. ARMOR (OPTIONAL)

BRONZE WIRE BRAID PER IEEE 1580

#### 4. JACKET (OPTIONAL)

THERMOPLASTIC POLYOLEFIN (TYPE TPO)  
BLACK COLOR

LSZH CABLE



## STANDARDS

- IEEE 45 (2004), IEEE 1580 (2010), UL 1309 (2011)
- TYPE LSX INSULATION: IEEE 1580
- TYPE TPO SHEATH: IEEE 1580
- FLAME RETARDANT: IEEE 1202
- HALOGEN CONTENT: IEC 60754-1,  $\leq 0.2\%$
- COLD BEND/IMPACT: CSA 22.2 NO. 03 (-40°C/-35°C)
- FIRE RESISTANT: IEC 60331-1/2/21 (OPTIONAL)



# IEEE 1580 TYPE LSXTPO CABLE

## TYPE LSXTPO LOW SMOKE HALOGEN-FREE POWER CABLE

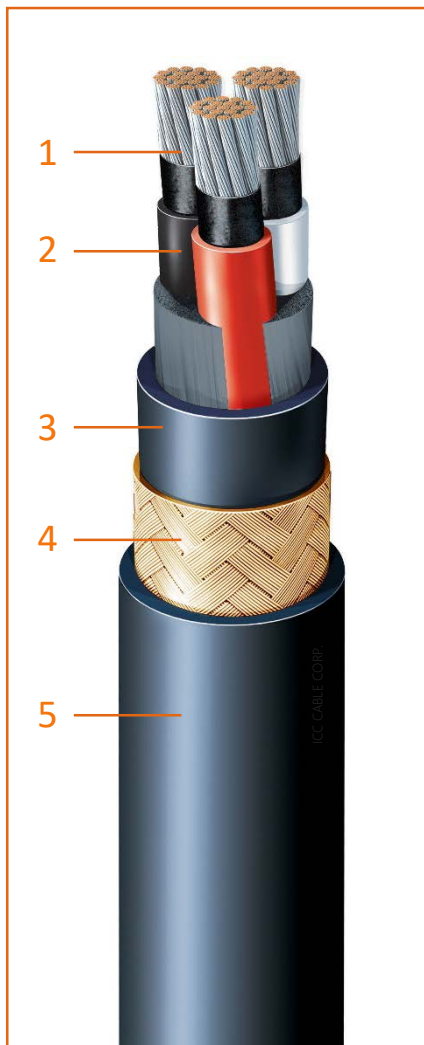
### 0.6/1KV LSXTPO CABLE: SINGLE CONDUCTOR

PART NO.	CONDUCTOR		UNARMORED				ARMORED AND SHEATHED (BS)				AMPACITY 90°C
	# OF CORES	SIZE (AWG)	NOMINAL OD		WEIGHT		NOMINAL OD		WEIGHT		
			INCHES	MM	LBS/MFT	KG/KM	INCHES	MM	LBS/MFT	KG/KM	
P-LSXTPO-1C14	1	14	0.240	6.1	40	60	0.417	10.6	128	190	34
P-LSXTPO-1C12	1	12	0.260	6.6	47	70	0.437	11.1	141	210	43
P-LSXTPO-1C10	1	10	0.287	7.3	67	100	0.465	11.8	168	250	54
P-LSXTPO-1C8	1	8	0.343	8.7	94	140	0.520	13.2	208	310	68
P-LSXTPO-1C6	1	6	0.382	9.7	134	200	0.587	14.9	276	410	88
P-LSXTPO-1C4	1	4	0.469	11.9	208	310	0.673	17.1	376	560	118
P-LSXTPO-1C2	1	2	0.516	13.1	276	410	0.720	18.3	457	680	156
P-LSXTPO-1C1	1	1	0.622	15.8	390	580	0.870	22.1	638	950	180
P-LSXTPO-1C1/0	1	1/0	0.669	17.0	470	700	0.917	23.3	739	1100	207
P-LSXTPO-1C2/0	1	2/0	0.717	18.2	578	860	0.965	24.5	867	1290	240
P-LSXTPO-1C3/0	1	3/0	0.780	19.8	692	1030	1.028	26.1	1001	1490	278
P-LSXTPO-1C4/0	1	4/0	0.890	22.6	894	1330	1.138	28.9	1236	1840	324
P-LSXTPO-1C262	1	3/0	0.969	24.6	1068	1590	1.217	30.9	1445	2150	378

DATA SUBJECT TO NORMAL MANUFACTURING TOLERANCES  
 CABLE OD AND WEIGHT ARE NOMINAL. SUBJECT TO INDUSTRY TOLERANCES  
 AMPACITY BASED ON 45°C AMBIENT TEMPERATURE; 90°C BASED ON IEEE 45 TABLE 25  
 "BS" ADDED TO PART NUMBER INDICATES ARMORED & SHEATHED CABLE

LSZH CABLE

## TYPE LSXTPO LOW SMOKE HALOGEN-FREE POWER CABLE



### PRODUCT DESCRIPTION

0.6/1KV FLEXIBLE TWO - FIVE CONDUCTOR  
MARINE/OFFSHORE POWER CABLE  
90°C TEMPERATURE RATING  
HALOGEN FREE & FLAME RETARDANT  
ETL LISTED, ABS APPROVED

### PRODUCT CONSTRUCTION

#### 1. CONDUCTOR

FLEXIBLE STRANDED TINNED ANNEALED COPPER WIRE

#### 2. INSULATION

LOW SMOKE, HALOGEN-FREE XLPO (TYPE LSX)  
COLOR CODE: IEEE 1580 TABLE 22

#### 3. JACKET

THERMOPLASTIC POLYOLEFIN (TYPE TPO)

#### 4. ARMOR (OPTIONAL)

BRONZE WIRE BRAID PER IEEE 1580

#### 5. SHEATH (OPTIONAL)

THERMOPLASTIC POLYOLEFIN (TYPE TPO)  
BLACK COLOR

LSZH CABLE



### STANDARDS

- IEEE 45 (2004), IEEE 1580 (2010), UL 1309 (2011)
- TYPE LSX INSULATION: IEEE 1580
- TYPE TPO SHEATH: IEEE 1580
- FLAME RETARDANT: IEEE 1202
- HALOGEN CONTENT: IEC 60754-1,  $\leq 0.2\%$
- COLD BEND/IMPACT: CSA 22.2 NO. 03 (-40°C/-35°C)
- FIRE RESISTANT: IEC 60331-1/2/21 (OPTIONAL)



# IEEE 1580 TYPE LSXTPO CABLE

## TYPE LSXTPO LOW SMOKE HALOGEN-FREE POWER CABLE

### 0.6/1KV LSXTPO CABLE: TWO CONDUCTOR

LSZH CABLE

PART NO.	CONDUCTOR		UNARMORED				ARMORED AND SHEATHED (BS)				AMPACITY 90°C
	# OF CORES	SIZE (AWG)	NOMINAL OD		WEIGHT		NOMINAL OD		WEIGHT		
			INCHES	MM	LBS/MFT	KG/KM	INCHES	MM	LBS/MFT	KG/KM	
P-LSXTPO-2C14	2	14	0.378	9.6	94	140	0.583	14.8	228	340	27
P-LSXTPO-2C12	2	12	0.417	10.6	114	170	0.622	15.8	269	400	36
P-LSXTPO-2C10	2	10	0.472	12.0	161	240	0.677	17.2	329	490	46
P-LSXTPO-2C8	2	8	0.606	15.4	249	370	0.811	20.6	457	680	60
P-LSXTPO-2C6	2	6	0.689	17.5	349	520	0.937	23.8	625	930	79
P-LSXTPO-2C4	2	4	0.906	23.0	585	870	1.154	29.3	934	1390	101
P-LSXTPO-2C2	2	2	1.004	25.5	753	1120	1.252	31.8	1142	1700	137
P-LSXTPO-2C1	2	1	1.161	29.5	1021	1520	1.409	35.8	1458	2170	161
P-LSXTPO-2C1/0	2	1/0	1.256	31.9	1230	1830	1.504	38.2	1707	2540	183
P-LSXTPO-2C2/0	2	2/0	1.350	34.3	1492	2220	1.598	40.6	2002	2980	233
P-LSXTPO-2C3/0	2	3/0	1.472	37.4	1781	2650	1.780	45.2	2439	3630	245
P-LSXTPO-2C4/0	2	4/0	1.606	40.8	2184	3250	1.913	48.6	2896	4310	284
P-LSXTPO-2C262	2	262	1.827	46.4	2748	4090	2.134	54.2	3555	5290	333

DATA SUBJECT TO NORMAL MANUFACTURING TOLERANCES  
 CABLE OD AND WEIGHT ARE NOMINAL. SUBJECT TO INDUSTRY TOLERANCES  
 AMPACITY BASED ON 45°C AMBIENT TEMPERATURE; 90°C BASED ON IEEE 45 TABLE 25  
 "BS" ADDED TO PART NUMBER INDICATES ARMORED & SHEATHED CABLE



# IEEE 1580 TYPE LSXTPO CABLE

## TYPE LSXTPO LOW SMOKE HALOGEN-FREE POWER CABLE

### 0.6/1KV LSXTPO CABLE: THREE CONDUCTOR

LSZH CABLE

PART NO.	CONDUCTOR		UNARMORED				ARMORED AND SHEATHED (BS)				AMPACITY 90°C
	# OF CORES	SIZE (AWG)	NOMINAL OD		WEIGHT		NOMINAL OD		WEIGHT		
			INCHES	MM	LBS/MFT	KG/KM	INCHES	MM	LBS/MFT	KG/KM	
P-LSXTPO-3C16	3	16	0.370	9.4	87	130	0.575	14.6	222	330	15
P-LSXTPO-3C14	3	14	0.402	10.2	108	160	0.606	15.4	255	380	24
P-LSXTPO-3C12	3	12	0.441	11.2	148	220	0.646	16.4	302	450	29
P-LSXTPO-3C10	3	10	0.504	12.8	202	300	0.709	18.0	376	560	38
P-LSXTPO-3C8	3	8	0.638	16.2	309	460	0.886	22.5	564	840	48
P-LSXTPO-3C6	3	6	0.732	18.6	443	660	0.980	24.9	732	1090	65
P-LSXTPO-3C4	3	4	0.961	24.4	732	1090	1.209	30.7	1109	1650	83
P-LSXTPO-3C2	3	2	1.067	27.1	968	1440	1.315	33.4	1378	2050	111
P-LSXTPO-3C1	3	1	1.236	31.4	1310	1950	1.484	37.7	1781	2650	131
P-LSXTPO-3C1/0	3	1/0	1.339	34.0	1593	2370	1.587	40.3	2097	3120	150
P-LSXTPO-3C2/0	3	2/0	1.441	36.6	1955	2910	1.748	44.4	2601	3870	173
P-LSXTPO-3C3/0	3	3/0	1.571	39.9	2332	3470	1.878	47.7	3031	4510	201
P-LSXTPO-3C4/0	3	4/0	1.776	45.1	2984	4440	2.083	52.9	3770	5610	232
P-LSXTPO-3C262	3	262	1.949	49.5	3602	5360	2.256	57.3	4462	6640	273
P-LSXTPO-3C313	3	313	2.094	53.2	4240	6310	2.402	61.0	5154	7670	298
P-LSXTPO-3C373	3	373	2.240	56.9	4946	7360	2.547	64.7	5920	8810	332
P-LSXTPO-3C444	3	444	2.402	61.0	5813	8650	2.709	68.8	6854	10200	382
P-LSXTPO-3C535	3	535	2.642	67.1	6988	10400	3.008	76.4	8312	12370	407
P-LSXTPO-3C646	3	646	2.890	73.4	8373	12460	3.256	82.7	9817	14610	474
P-LSXTPO-3C777	3	777	3.075	78.1	9878	14700	3.441	87.4	11410	16980	516

DATA SUBJECT TO NORMAL MANUFACTURING TOLERANCES  
 CABLE OD AND WEIGHT ARE NOMINAL. SUBJECT TO INDUSTRY TOLERANCES  
 AMPACITY BASED ON 45°C AMBIENT TEMPERATURE: 90°C BASED ON IEEE 45 TABLE 25  
 "BS" ADDED TO PART NUMBER INDICATES ARMORED & SHEATHED CABLE



# IEEE 1580 TYPE LSXTPO CABLE

## TYPE LSXTPO LOW SMOKE HALOGEN-FREE POWER CABLE

### 0.6/1KV LSXTPO CABLE: FOUR CONDUCTOR

PART NO.	CONDUCTOR		UNARMORED				ARMORED AND SHEATHED (BS)				AMPACITY 90°C
	# OF CORES	SIZE (AWG)	NOMINAL OD		WEIGHT		NOMINAL OD		WEIGHT		
			INCHES	MM	LBS/MFT	KG/KM	INCHES	MM	LBS/MFT	KG/KM	
P-LSXTPO-4C14	4	14	0.437	11.1	141	210	0.642	16.3	296	440	24
P-LSXTPO-4C12	4	12	0.480	12.2	188	280	0.685	17.4	356	530	29
P-LSXTPO-4C10	4	10	0.579	14.7	276	410	0.783	19.9	477	710	38
P-LSXTPO-4C8	4	8	0.701	17.8	396	590	0.949	24.1	679	1010	48
P-LSXTPO-4C6	4	6	0.803	20.4	571	850	1.051	26.7	887	1320	65
P-LSXTPO-4C4	4	4	1.059	26.9	961	1430	1.307	33.2	1364	2030	83
P-LSXTPO-4C2	4	2	1.173	29.8	1263	1880	1.421	36.1	1707	2540	111
P-LSXTPO-4C1	4	1	1.366	34.7	1727	2570	1.614	41.0	2238	3330	131
P-LSXTPO-4C1/0	4	1/0	1.480	37.6	2103	3130	1.787	45.4	2769	4120	150
P-LSXTPO-4C2/0	4	2/0	1.594	40.5	2587	3850	1.902	48.3	3293	4900	173
P-LSXTPO-4C3/0	4	3/0	1.799	45.7	3205	4770	2.106	53.5	3998	5950	201
P-LSXTPO-4C4/0	4	4/0	1.961	49.8	3938	5860	2.268	57.6	4798	7140	232
P-LSXTPO-4C262	4	262	2.157	54.8	4771	7100	2.465	62.6	5712	8500	273
P-LSXTPO-4C313	4	313	2.319	58.9	5624	8370	2.626	66.7	6626	9860	298
P-LSXTPO-4C373	4	373	2.480	63.0	6565	9770	2.846	72.3	7808	11620	332
P-LSXTPO-4C444	4	444	2.661	67.6	7728	11500	3.028	76.9	9058	13480	382
P-LSXTPO-4C535	4	535	2.992	76.0	9502	14140	3.358	85.3	10987	16350	407
P-LSXTPO-4C646	4	646	3.201	81.3	11128	16560	3.567	90.6	12714	18920	474

DATA SUBJECT TO NORMAL MANUFACTURING TOLERANCES  
 CABLE OD AND WEIGHT ARE NOMINAL. SUBJECT TO INDUSTRY TOLERANCES  
 AMPACITY BASED ON 45°C AMBIENT TEMPERATURE; 90°C BASED ON IEEE 45 TABLE 25  
 "-BS" ADDED TO PART NUMBER INDICATES ARMORED & SHEATHED CABLE

LSZH CABLE

## TYPE LSXTPO LOW SMOKE HALOGEN-FREE POWER CABLE

### 0.6/1KV LSXTPO CABLE: FIVE CONDUCTOR

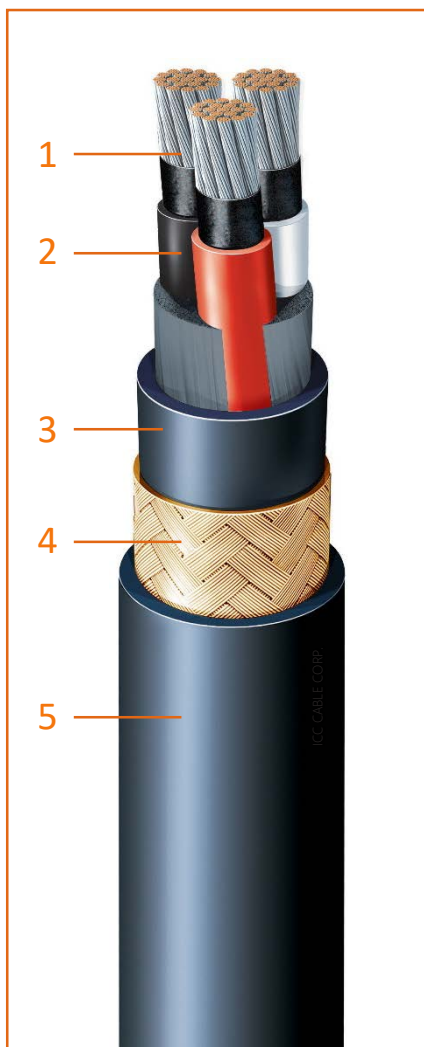
PART NO.	CONDUCTOR		UNARMORED				ARMORED AND SHEATHED (BS)			
			NOMINAL OD		WEIGHT		NOMINAL OD		WEIGHT	
	# OF CORES	SIZE (AWG)	INCHES	MM	LBS/MFT	KG/KM	INCHES	MM	LBS/MFT	KG/KM
P-LSXTPO-5C14	5	14	0.476	12.1	161	240	0.681	17.3	336	500
P-LSXTPO-5C12	5	12	0.555	14.1	235	350	0.760	19.3	430	640
P-LSXTPO-5C10	5	10	0.630	16.0	323	480	0.870	22.1	571	850
P-LSXTPO-5C8	5	8	0.768	19.5	470	700	1.016	25.8	773	1150
P-LSXTPO-5C6	5	6	0.925	23.5	719	1070	1.173	29.8	1075	1600
P-LSXTPO-5C5	5	4	1.193	30.3	1149	1710	1.441	36.6	1599	2380
P-LSXTPO-5C2	5	2	1.319	33.5	1512	2250	1.559	39.6	1996	2970
P-LSXTPO-5C1	5	1	1.535	39.0	2070	3080	1.835	46.6	2742	4080
P-LSXTPO-5C1/0	5	1/0	1.661	42.2	2527	3760	1.961	49.8	3246	4830
P-LSXTPO-5C2/0	5	2/0	1.850	47.0	3219	4790	2.150	54.6	4018	5980
P-LSXTPO-5C3/0	5	3/0	2.016	51.2	3850	5730	2.315	58.8	4710	7010
P-LSXTPO-5C4/0	5	4/0	2.197	55.8	4737	7050	2.496	63.4	5671	8440

DATA SUBJECT TO NORMAL MANUFACTURING TOLERANCES  
 CABLE OD AND WEIGHT ARE NOMINAL. SUBJECT TO INDUSTRY TOLERANCES  
 AMPACITY BASED ON 45°C AMBIENT TEMPERATURE; 90°C BASED ON IEEE 45 TABLE 25  
 "BS" ADDED TO PART NUMBER INDICATES ARMORED & SHEATHED CABLE

ICC CABLE CORP.

LSZH CABLE

## TYPE LSXTPO LOW SMOKE HALOGEN-FREE POWER CABLE, CLASS B STRANDS



### PRODUCT DESCRIPTION

0.6/1KV LSXTPO THREE CONDUCTOR  
MARINE/OFFSHORE POWER CABLE  
90°C TEMPERATURE RATING  
HALOGEN FREE & FLAME RETARDANT  
ETL LISTED, ABS APPROVED

### PRODUCT CONSTRUCTION

#### 1. CONDUCTOR

CLASS B CONCENTRIC STRANDED TINNED COPPER WIRE

#### 2. INSULATION

LOW SMOKE, HALOGEN-FREE XLPO (TYPE LSX)  
COLOR CODE: IEEE 1580 TABLE 22

#### 3. JACKET

THERMOPLASTIC POLYOLEFIN (TYPE TPO)

#### 4. ARMOR (OPTIONAL)

ALUMINUM OR BRONZE WIRE BRAID PER IEEE 1580

#### 5. SHEATH (OPTIONAL)

THERMOPLASTIC POLYOLEFIN (TYPE TPO)  
BLACK COLOR

LSZH CABLE



### STANDARDS

- IEEE 45 (2004), IEEE 1580 (2010), UL 1309 (2011)
- TYPE LSX INSULATION: IEEE 1580
- TYPE TPO SHEATH: IEEE 1580
- FLAME RETARDANT: IEEE 1202
- HALOGEN CONTENT: IEC 60754-1,  $\leq 0.2\%$
- COLD BEND/IMPACT: CSA 22.2 NO. 03 (-40°C/-35°C)
- FIRE RESISTANT: IEC 60331-1/2/21 (OPTIONAL)





# IEEE 1580 TYPE LSXTPO CABLE

## TYPE LSXTPO LOW SMOKE HALOGEN-FREE POWER CABLE, CLASS B STRANDS

### 0.6/1KV LSXTPO CABLE: SINGLE CONDUCTOR

LSZH CABLE

			<u>UNARMORED</u> LSXTPO				<u>ARMORED</u> LSXTPOA: ALUMINUM ARMORED LSXTPOB: BRONZE ARMORED				<u>ARMORED AND SHEATHED</u> LSXTPOBS: BRONZE ARMORED AND SHEATHED				
PART NO.	CONDUCTOR		NOMINAL OD		WEIGHT		NOMINAL OD		WEIGHT		NOMINAL OD		WEIGHT		AMPACITY
	# OF CORES	SIZE (AWG)	INCHES	MM	LBS/MFT	KG/KM	INCHES	MM	LBS/MFT	KG/KM	INCHES	MM	LBS/MFT	KG/KM	90°C
P-LSXTPO-3C250	3	250	1.768	44.9	3138	4670	1.835	46.6	3393	5050	2.079	52.8	3817	5680	259
P-LSXTPO-3C300	3	300	1.886	47.9	3682	5480	1.953	49.6	3951	5880	2.197	55.8	4401	6550	290
P-LSXTPO-3C350	3	350	1.996	50.7	4227	6290	2.063	52.4	4516	6720	2.307	58.6	4986	7420	317

DATA SUBJECT TO NORMAL MANUFACTURING TOLERANCES  
 CABLE OD AND WEIGHT ARE NOMINAL. SUBJECT TO INDUSTRY TOLERANCES  
 AMPACITY BASED ON 45°C AMBIENT TEMPERATURE; 90°C BASED ON IEEE 45 TABLE 25  
 "-BS" ADDED TO PART NUMBER INDICATES ARMORED & SHEATHED CABLE

ICC CABLE CORP.