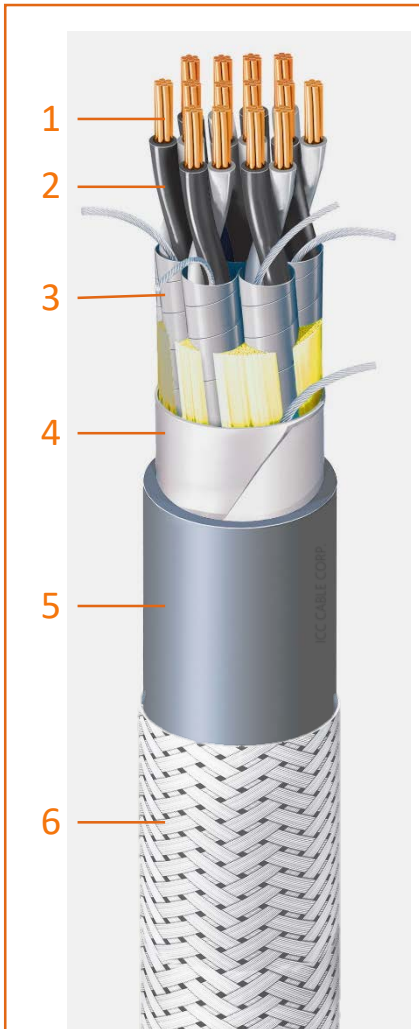


TYPE T/N, INSTRUMENTATION CABLE



PRODUCT DESCRIPTION

0.6/1KV COMMERCIAL MARINE SHIPBOARD CABLE
90°C TEMPERATURE RATING
MOISTURE, SUNLIGHT RESISTANT
ABS, USCG APPROVED, UL LISTED

PRODUCT CONSTRUCTION

1. CONDUCTOR

STRANDED SOFT ANNEALED BARE COPPER WIRE
TINNED COPPER CONDUCTOR OPTION AVAILABLE

2. INSULATION

POLYVINYL CHLORIDE (PVC) AND POLYAMIDE (NYLON)

3. INDIVIDUAL SHIELD

AL/PS TAPE W/TINNED COPPER DRAIN WIRE

4. OVERALL SHIELD

AL/PS TAPE W/TINNED COPPER DRAIN WIRE

5. JACKET

720 HR SUNLIGHT RESISTANT POLYVINYL CHLORIDE (PVC)
JACKET, GREY COLOR

6. ARMOR (OPTIONAL)

ALUMINUM (-A), STAINLESS STEEL (-S), BRONZE (-B) AVAILABLE

MADE IN USA



STANDARDS

- IEEE 45, IEEE 1580 (2001)
- UL 1309, CSA C22.2 No. 245
- GOV. STD: 46 CFR 111.60-1(a)(2014)
- ROHS COMPLIANT
- VW-1 FLAME TEST
- IEEE 1202/UL 1683 FLAME TEST
- IEEE 383, UL 1581 (1685)
- UL 1202/FT-4 70,000 BTU FLAME TEST

TYPE T/N, INSTRUMENTATION CABLE

TPS-TNIU/TPS-TNIA/TPS-TNIB: PAIRS, SHIELDED

PART NO.	CONDUCTOR		*NOMINAL OD	WEIGHT	DRAIN WIRE
	# OF PAIRS	SIZE (AWG)	INCHES	LBS/MFT	SIZE (AWG)
TPS20(OS)TNIU-1	1	20	0.243	32	22
TPS20(ISOS)TNIU-2	2	20	0.355	62	22
TPS20(ISOS)TNIU-3	3	20	0.373	80	22
TPS20(ISOS)TNIU-4	4	20	0.406	99	22
TPS20(ISOS)TNIU-5	5	20	0.456	117	22
TPS20(ISOS)TNIU-6	6	20	0.485	131	22
TPS20(ISOS)TNIU10	10	20	0.634	216	22
TPS20(ISOS)TNIU15	15	20	0.703	309	22
TPS20(ISOS)TNIU20	20	20	0.783	377	22
TPS18(IS)T/NT-1	1	18	0.263	40	20
TPS18(ISOS)T/NT-2	2	18	0.381	80	20
TPS18(ISOS)T/NT-3	3	18	0.404	103	20
TPS18(ISOS)T/NT-4	4	18	0.440	125	20
TPS18(ISOS)T/NT-5	5	18	0.513	162	20
TPS18(ISOS)T/NT-6	6	18	0.597	206	20
TPS18(ISOS)T/NT-7	7	18	0.555	212	20
TPS18(ISOS)T/NT-8	8	18	0.602	242	20
TPS18(ISOS)T/NT-9	9	18	0.646	269	20
TPS18(ISOS)T/NT10	10	18	0.698	290	20
TPS18(ISOS)T/NT12	12	18	0.724	341	20
TPS18(ISOS)T/NT14	14	18	0.757	380	20
TPS18(ISOS)T/NT20	20	18	0.991	571	20
TPS18(ISOS)T/NT24	24	18	1.002	663	20

* ADD .055 INCHES FOR ARMORED CABLE OD
 -A, -B and -S IN PART NUMBER INDICATES TYPE OF ARMORING
 COLOR CODE: PAIR CABLES ARE BLACK, WHITE WITH NUMBERS
 DATA SUBJECT TO NORMAL MANUFACTURING TOLERANCES
 CABLE OD AND WEIGHT ARE NOMINAL. SUBJECT TO INDUSTRY TOLERANCES
 AMPACITY BASED ON 45°C AMBIENT TEMPERATURE; 100°C BASED ON IEEE 45 TABLE 25



TYPE T/N, INSTRUMENTATION CABLE

TPS-TNIU/TPS-TNIA/TPS-TNIB: PAIRS, SHIELDED

PART NO.	CONDUCTOR		*NOMINAL OD	WEIGHT	DRAIN WIRE
	# OF PAIRS	SIZE (AWG)	INCHES	LBS/MFT	SIZE (AWG)
TPS16(IS)T/NT-1	1	16	0.287	51	18
TPS16(ISOS)T/NT-2	2	16	0.415	109	18
TPS16(ISOS)T/NT-3	3	16	0.441	138	18
TPS16(ISOS)T/NT-4	4	16	0.484	168	18
TPS16(ISOS)T/NT-5	5	16	0.561	229	18
TPS16(ISOS)T/NT-6	6	16	0.609	254	18
TPS16(ISOS)T/NT-7	7	16	0.609	282	18
TPS16(ISOS)T/NT-8	8	16	0.662	321	18
TPS16(ISOS)T/NT-10	10	16	0.851	434	18
TPS16(ISOS)T/NT-12	12	16	0.885	495	18
TPS16(ISOS)T/NT-15	15	16	1.001	604	18
TPS14(IS)T/NT-1	1	14	0.319	72	16
TPS14(ISOS)T/NT-2	2	14	0.474	153	16
TPS14(ISOS)T/NT-3	3	14	0.501	194	16
TPS14(ISOS)T/NT-4	4	14	0.584	292	16

* ADD .055 INCHES FOR ARMORED CABLE OD
 -A, -B and -S IN PART NUMBER INDICATES TYPE OF ARMORING
 COLOR CODE: PAIR CABLES ARE BLACK, WHITE WITH NUMBERS
 DATA SUBJECT TO NORMAL MANUFACTURING TOLERANCES
 CABLE OD AND WEIGHT ARE NOMINAL. SUBJECT TO INDUSTRY TOLERANCES
 AMPACITY BASED ON 45°C AMBIENT TEMPERATURE; 100°C BASED ON IEEE 45 TABLE 25

TTS-TNIU/TTS-TNIA/TTS-TNIB: TRIADS, SHIELDED

PART NO.	CONDUCTOR		*NOMINAL OD	WEIGHT	DRAIN WIRE
	# OF TRIADS	SIZE (AWG)	INCHES	LBS/MFT	SIZE (AWG)
TTS18(IS)T/NT-1	1	18	0.276	49	20
TTS18(ISOS)T/NT-3	3	18	0.500	135	20
TTS16(IS)T/NT-1	1	16	0.302	66	18
TTS16(ISOS)T/NT-3	3	16	0.582	199	18
TTS14(IS)T/NT-1	1	14	0.339	95	16
TTS12(IS)T/NT-1	1	12	0.376	119	16

* ADD .055 INCHES FOR ARMORED CABLE OD
 -A, -B and -S IN PART NUMBER INDICATES TYPE OF ARMORING
 COLOR CODE: TRIAD CABLES ARE BLACK, WHITE, RED WITH NUMBERS
 DATA SUBJECT TO NORMAL MANUFACTURING TOLERANCES
 CABLE OD AND WEIGHT ARE NOMINAL. SUBJECT TO INDUSTRY TOLERANCES
 AMPACITY BASED ON 45°C AMBIENT TEMPERATURE; 100°C BASED ON IEEE 45 TABLE 25

